



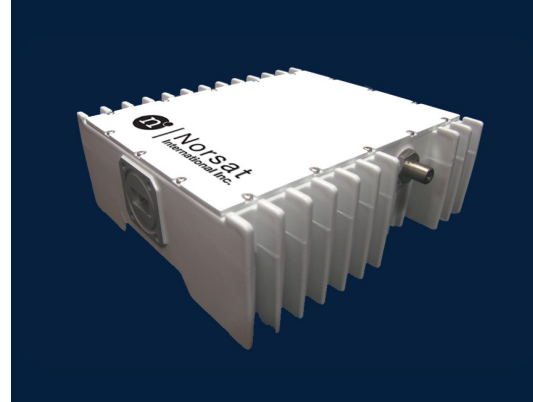
BUC

KU-BAND 6W 8W 10W

ELMTBKU

ELEMENT SERIES

SPECIFICATIONS



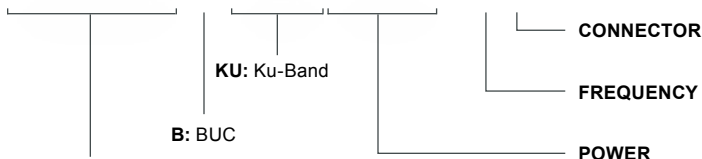
	ELMTBKU006	ELMTBKU008	ELMTBKU010		ELMTBKU006	ELMTBKU008	ELMTBKU010
Output Power (P1dB)	37.8 dBm min.	39 dBm min.	39.5 dBm min.	Input Voltage	+18V to +24V DC via IFL		
Output Power (Psat)	38.3 dBm min.	39.5 dBm min.	40 dBm min.	Power Consumption	48W max.	75W max.	100W max.
Phase Noise (SSB) max.		-60 dBc/Hz at 100Hz -70 dBc/Hz at 1kHz -80 dBc/Hz at 10kHz -90 dBc/Hz at 100kHz -100 dBc/Hz at 1MHz		Input (waterproof)	Type F Connector (75 Ohm) Type N Connector (50 Ohm)		
Linear Gain	55 dB typ., 50 dB min., 70 dB max.	65 dB typ., 60 dB min., 70 dB max.	67 dB typ., 62 dB min., 72 dB max.	Output (waterproof)	WR-75 waveguide grooved		
Gain Flatness: Over Full Band Over Any 40 MHz Over Temperature		≤ 4.0 dB p-p ≤ 1.5 dB p-p ≤ 4.0 dB p-p		Dimensions (L x W x H)	006: 176.1 mm x 161.5 mm x 65 mm 008: 175.9 mm x 169 mm x 101 mm 010: 220 mm x 194.2 mm x 103.5 mm		
Output Spurious: In-Band Out-of-Band		≤ -60 dBc ≤ -50 dBc		Weight	006: 1.8 kg (3.97lb) 008: 2.7 kg (5.95 lb) 010: 4.5 kg (9.92 lb)		
Noise Power Density		-80 dBm/Hz in Tx -156 dBm/Hz in Rx		Operating Temperature	-40 to +55°C		
Input VSWR		2.0 : 1 max.		Storage Temperature	-40 to +80°C		
Output VSWR		2.0 : 1 max.		Humidity	0-100% condensing		
				External Ref Freq	10 MHz (sine-wave), -5 to +5 dBm		
				Enclosed Accessories	Screws, Gasket		

FREQUENCY BANDS

	S: Standard	E: Extended
Transmit Frequency (GHz)	14.0 - 14.5	13.75 - 14.5
L.O. Frequency (GHz)	13.05	12.80
IF Frequency (MHz)	950 - 1450	950 - 1700

HOW TO ORDER

ELMTBKU006-EF



F: Type F Connector (75 Ohm)
N: Type N Connector (50 Ohm)

S: Standard
E: Extended

006: 8W
008: 8W
010: 10W

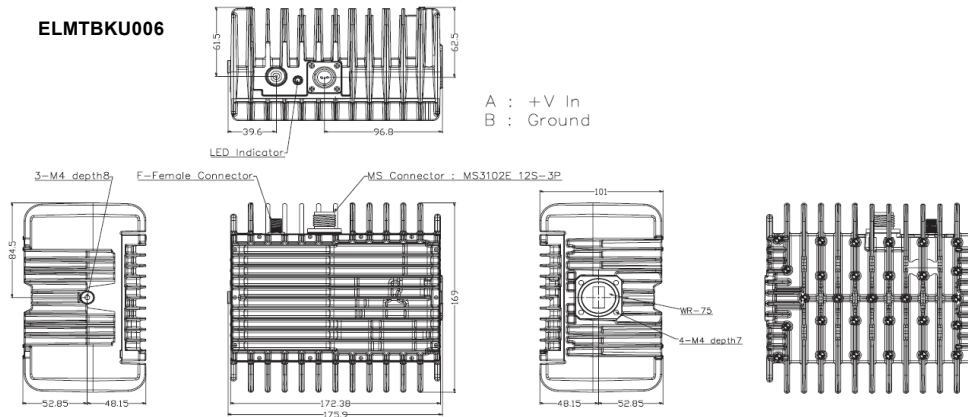
ELEMENT SERIES



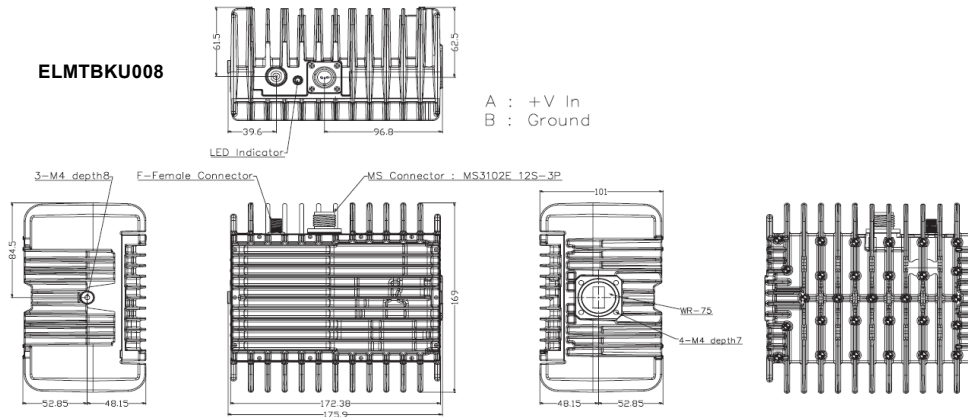
KU-BAND 6W 8W 10W BUC: ELMTBKU

MECHANICAL DIAGRAM

ELMTBKU006



ELMTBKU008



ELMTBKU010

